



## ViewMaster Pro In-ceiling Screen Box (Australia)

### Type 2

A neat and practical in-ceiling solution

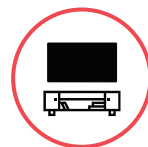
SIZES 120" - 150" DIAGONAL

To suit ViewMaster Pro motorised screens.

The ViewMaster Pro Screen Box allows you to install a ViewMaster Pro into the ceiling so that it is out of sight when not in use, but instantly accessible.

ScreenBox

### Market Segments:



Home Entertainment



Education



Government

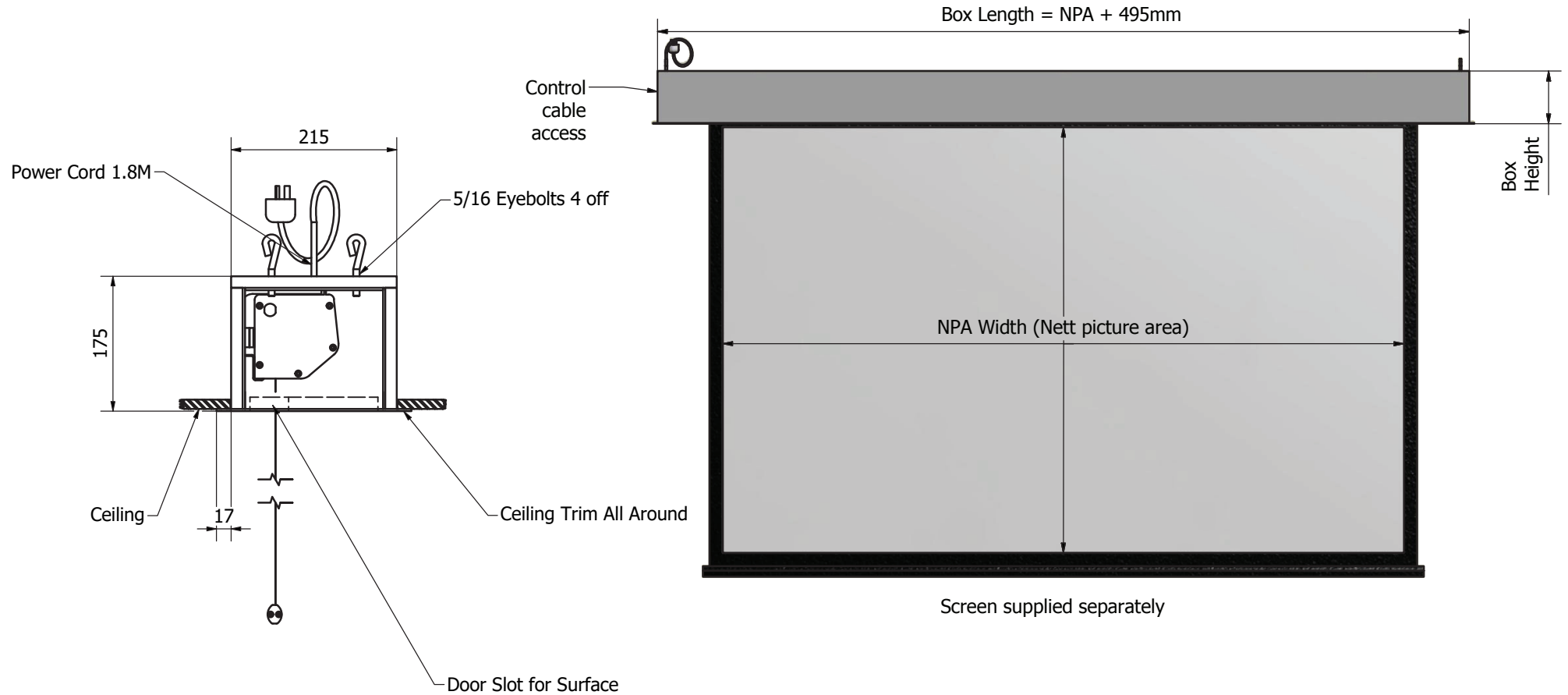


Corporate

### Benefits include:

- Utilising E Zero MDF
- Underside finished in low VOC 2pk white
- Includes internal power junction for easy and complete AV integration
- Integrated power junction box for electrical connection
- Universal bracketing system for the screen
- Can be pre-fitted during the building construction stage
- Pre-wiring facility
- Maintenance access door
- Single trade installation





Manufacturing tolerance +/- 5mm  
All dimensions are in (mm) If installed in ceiling always allow for removal for servicing.

The Concept, Design and Details in this drawing are the property of Screen Technics with whom the copyright resides. They may not be reproduced without written permission of Screen Technics.

Date  
04/11/2019

Part Number  
VB45xxxxx-2

Rev  
03

**Product Features**

**HEADBOX:**  
In-Ceiling installation with power junction and bracket system

**BOX:**  
EO MDF Construction with fully painted Low VOC 2 pack white underside & ceiling edge covers for easy install. Custom colours available.

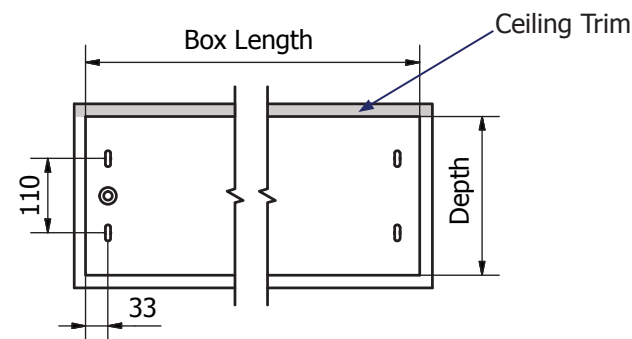
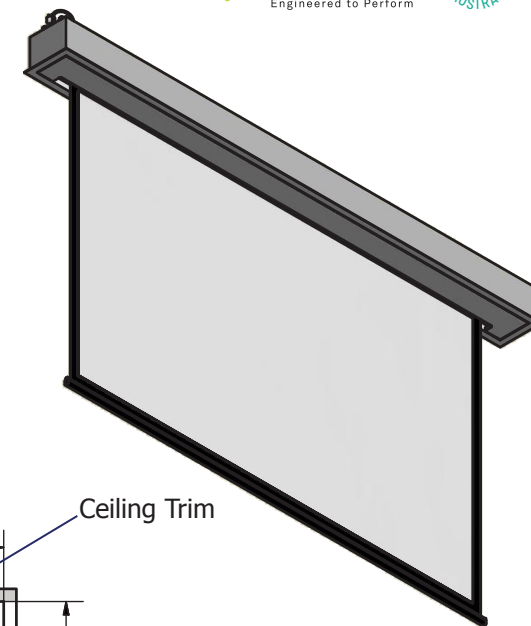
**SCREEN:**  
Suitable only for the Viewmaster Pro range of screens

**INSTALLATION:**  
Utilising ø5/16 Whitworth threaded holes with either brooker rod or eye bolts to suitable structure

**BRACKETS:**  
Utilises brackets supplied with Viewmaster Pro Screen

**SIZES:**  
As Shown, Custom Sizes & Formats available upon request

ITEM NO	INCH DIAGONAL	IMAGE SIZE mm	FORMAT	BOX LENGTH mm	BOX HEIGHT mm	BOX DEPTH mm	WEIGHT kg
VB4512019-2	120"	1830 x 2440	Video 4:3	2935	200	235	46
VB4513019-2	130"	1980 x 2640	Video 4:3	3135	200	235	49
VB4514019-2	140"	2135 x 2845	Video 4:3	3340	200	235	52
VB4515019-2	150"	2285 x 3050	Video 4:3	3545	200	235	56
VB4512029-2	120"	1495 x 2655	HDTV 16:9	3150	200	235	48
VB4513029-2	130"	1615 x 2880	HDTV 16:9	3375	200	235	51
VB4514029-2	140"	1740 x 3100	HDTV 16:9	3595	200	235	57
VB4515029-2	150"	1865 x 3320	HDTV 16:9	3815	200	235	62
VB4512069-2	120"	1615 x 2585	16:10	3080	200	235	48
VB4513069-2	130"	1750 x 2800	16:10	3295	200	235	51
VB4514069-2	140"	1885 x 3015	16:10	3510	200	235	57
VB4515069-2	150"	2020 x 3230	16:10	3725	200	235	62



4 off Captive Nut Positions Ø5/16 Whitworth 2 at either end

**ARCHITECTS SPECIFICATION**

The screen box shall be an Australian made Screen Technics ViewMaster Pro Type 2 model \_\_\_\_\_ constructed of E Zero MDF and shall be located where indicated on the plans. Installation shall be done in accordance with the manufacturer’s instructions.

Manufacturing tolerance +/- 5mm  
All dimensions are in (mm) If installed in ceiling always allow for removal for servicing.



AUSTRALIA

22-24 Suttor Road  
Moss Vale NSW 2577  
+61 2 4869 2100

NEW ZEALAND

44 Mahana Road  
Te Rapa, Hamilton  
+0800 022 821

screeentechnics.com.au • info@screeentechnics.com.au