



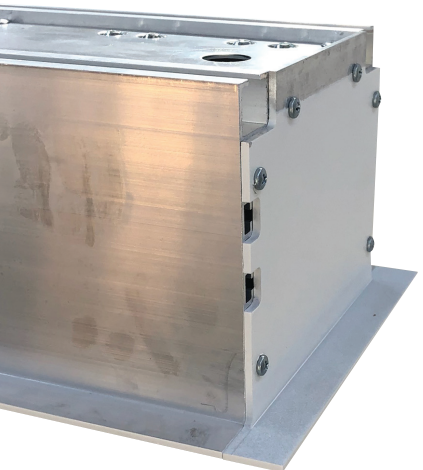
MasterFit

B

Convenient one-stop installation

SIZES 120" - 150"

An integrated in-ceiling screen solution designed for installation from within the ceiling. Uses a custom designed aluminium box for a lightweight solution, yet still provides structural integrity.



Market Segments:



Home
Entertainment



Education



Government



Defense



Boardroom

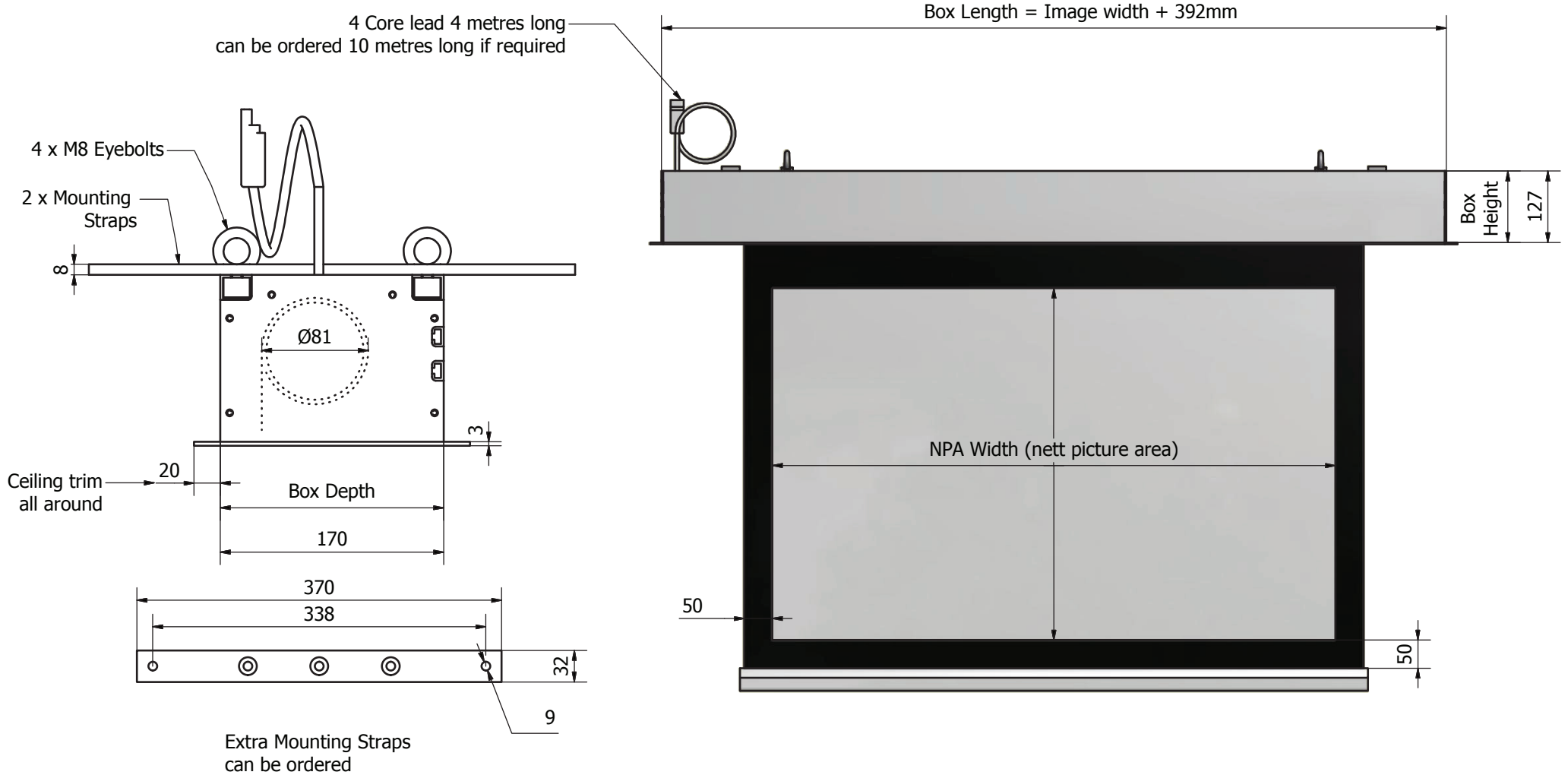


Corporate

Benefits include:

- Fully integrated with IR
- 12V trigger
- Contact closure
- Option to upgrade to Connect IP control





Manufacturing tolerance +/- 5mm on in ceiling box and slatrod
All dimensions are in (mm)
Always allow for removal of screen for servicing.

The Concept, Design and Details in this drawing are the property of Screen Technics with whom the copyright resides. They may not be reproduced without written permission of Screen Technics.

Date
16/07/19

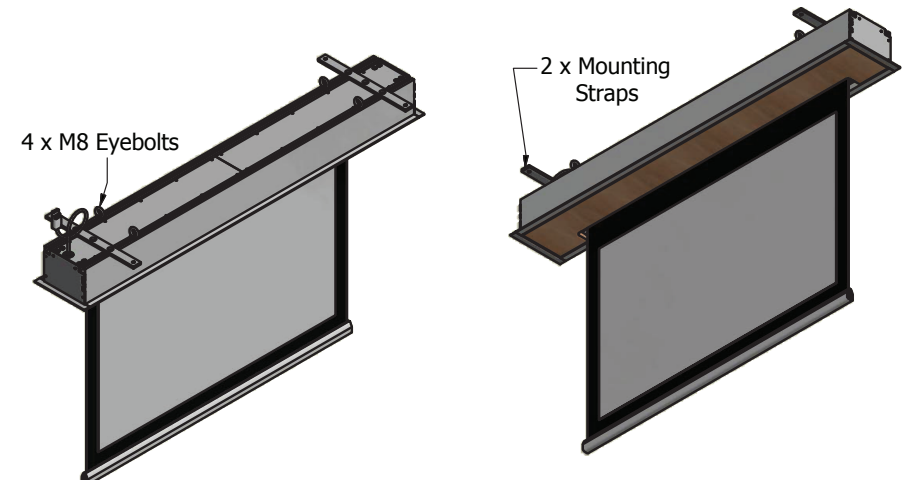
Part Number
MFxxxxx-B

Rev
02

Product Features

- An integrated in ceiling screen solution designed for a one-stop installation from within the ceiling space
- Utilises a custom designed aluminium box for lightweight solution but still providing structural integrity
- Connect Infra red and dry contact control as standard - upgradeable to Connect IP control
- Custom sizes available

ITEM NO	INCH DIAGONAL	IMAGE SIZE mm	FORMAT	BOX LENGTH mm	BOX HEIGHT mm	BOX DEPTH mm	WEIGHT kg
MF12019-B	120"	1830 x 2440	Video 4:3	2832	127	170	41.0
MF13019-B	130"	1980 x 2640	Video 4:3	3032	127	170	43.0
MF14019-B	140"	2135 x 2845	Video 4:3	3237	127	170	45.0
MF15019-B	150"	2285 x 3050	Video 4:3	3442	127	170	48.0
MF12029-B	120"	1495 x 2655	HDTV 16:9	3047	127	170	43.0
MF13029-B	130"	1615 x 2880	HDTV 16:9	3272	127	170	45.0
MF14029-B	140"	1740 x 3100	HDTV 16:9	3492	127	170	48.0
MF15029-B	150"	1865 x 3320	HDTV 16:9	3712	127	170	50.0
MF12069-B	120"	1615 x 2585	16:10	2977	127	170	42.0
MF13069-B	130"	1750 x 2800	16:10	3192	127	170	45.0
MF14069-B	140"	1885 x 3015	16:10	3407	127	170	47.0
MF15069-B	150"	2020 x 3230	16:10	3622	127	170	50.0



ARCHITECTS SPECIFICATION

The projection screen shall be an Australian made Screen Technics MasterFit Type B model _____ with Unity White Black Backed Fibreglass surface and shall be located where indicated on the plans. Installation shall be done in accordance with the manufacturer's instructions.



Manufacturing tolerance +/- 5mm on in ceiling box and slat rod
 All dimensions are in (mm)
 Always allow for removal of screen for servicing.

AUSTRALIA

22-24 Suttor Road

Moss Vale NSW 2577

+61 2 4869 2100

screeentechnics.com.au • info@screeentechnics.com.au

NEW ZEALAND

44 Mahana Road

Te Rapa, Hamilton

+0800 022 821