



CinemaTech Premium Chain Drive Screen

SIZES 72" - 130"

The cost effective solution for a professional educational environment without access to power. The CinemaTech utilises a side chain lifting mechanism that offers superior lay flat qualities and extended product life over the traditional spring type. Suitable for multi-purpose areas where designer good looks are expected.

Market Segments:



Home
Entertainment



Education



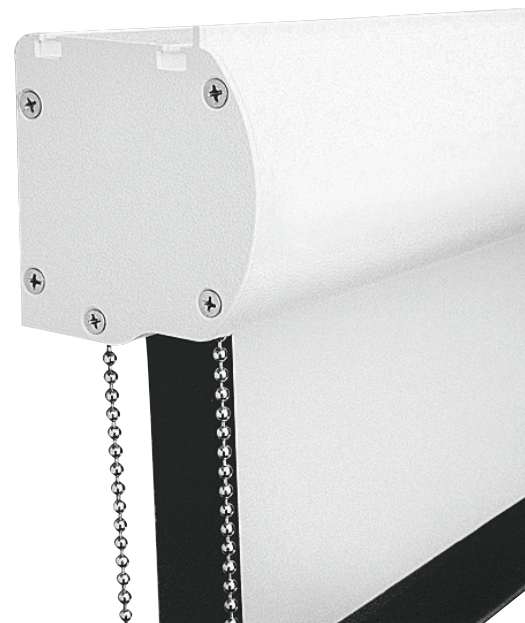
Government



Worship



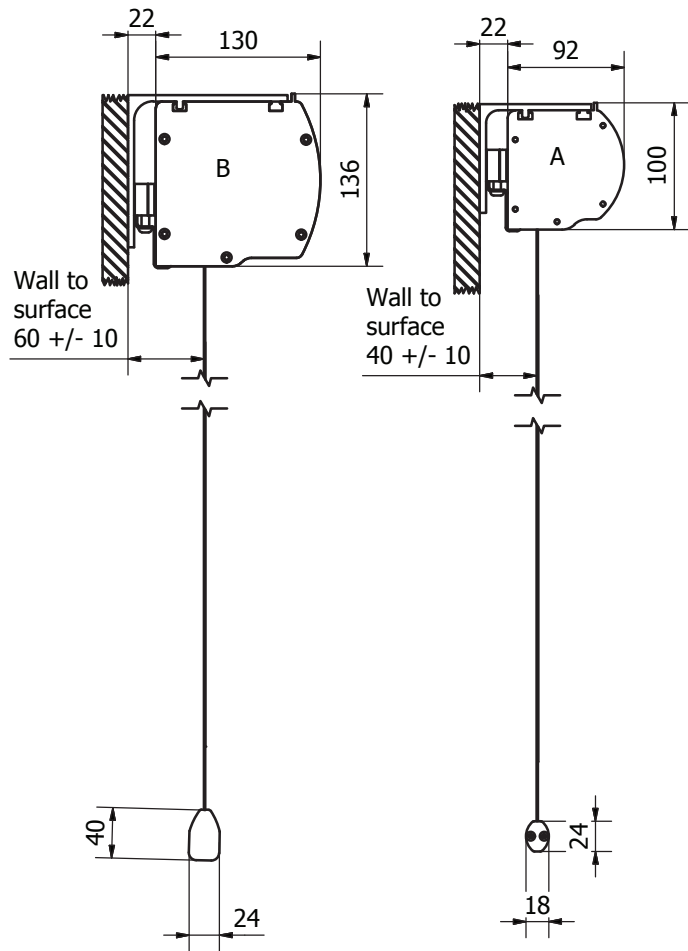
Boardroom



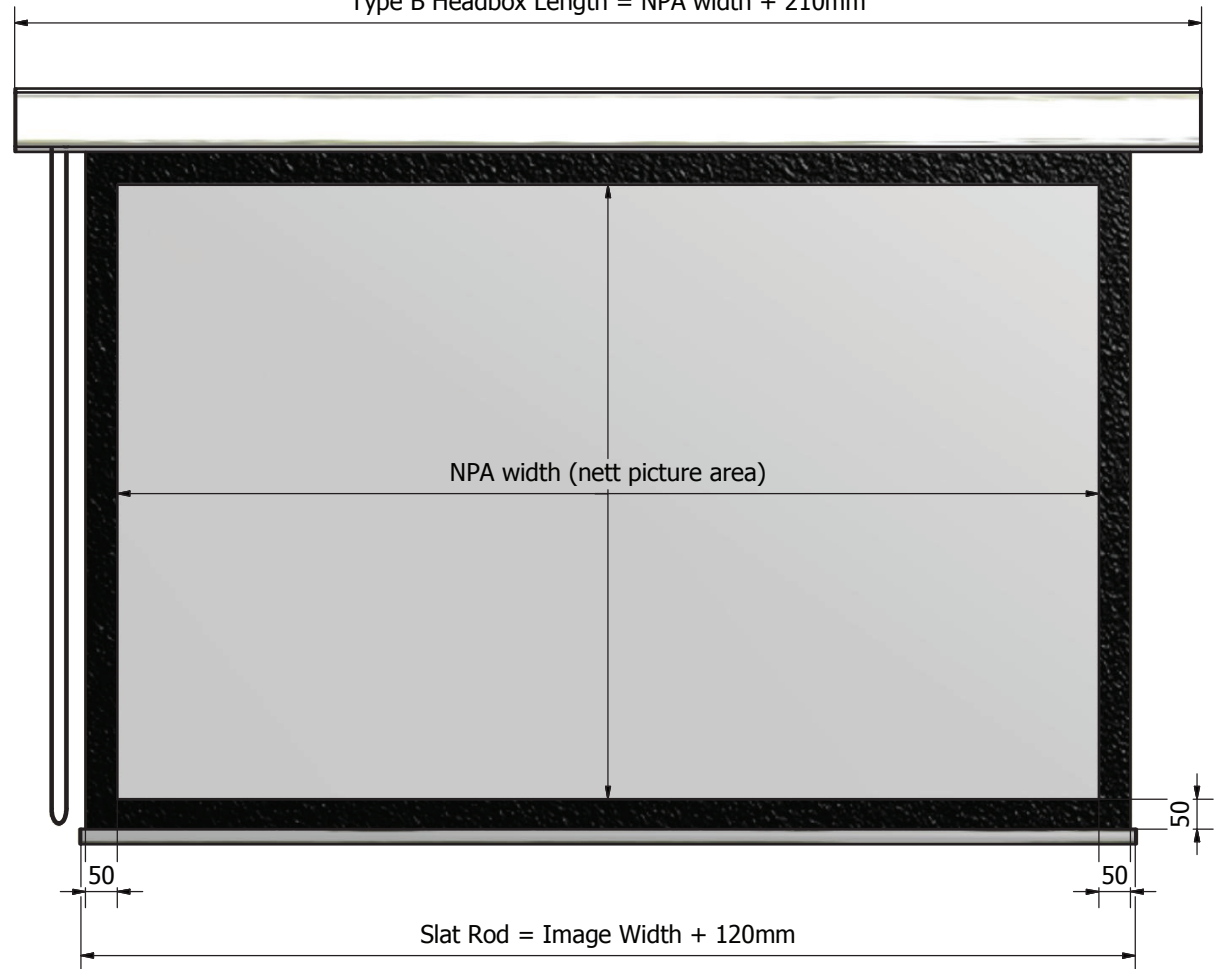
Benefits include:

- Incremental control operation
- No temperamental locking mechanisms
- Years of trouble free use
- Fully retractable surface
- Perfect for areas without access to power
- Chain located on left side of the screen





Type A Headbox Length = NPA width + 190mm
Type B Headbox Length = NPA width + 210mm



Full technical drawings and installation instructions can be found on our website
Manufacturing tolerance +/- 5mm on headbox and slatrod
All dimensions are in (mm). If installed in ceiling always allow for removal for servicing.

The Concept, Design and Details in this drawing are the property of Screen Technics with whom the copyright resides. They may not be reproduced without written permission of Screen Technics.

Date
16/07/2019

Rev
03

Product Features

DESCRIPTION:
Quality Home Theatre Manual Chain Drive Screen System

SURFACE:
Unity White Black Backed Fibreglass Screen Gain 1.1

HEAD BOX:
Powder Coat White as standard with Black optional

BORDERS:
50mm Sides & Bottom with 300mm top black leader

BRACKETS:
One piece clip-on L bracket suitable for wall or ceiling installation

SIZES:
72" Diagonal to 130" Diagonal
Custom Sizes & Formats available upon request

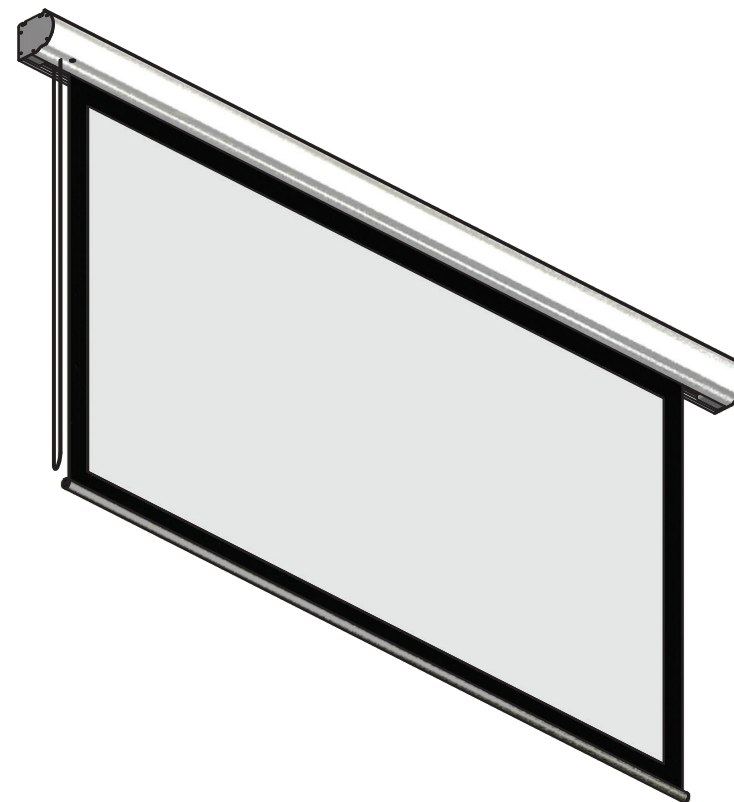
ROLLER DIAMETER:
Small Canister - 47mm Heavy Duty
Large Canister - 80mm Heavy Duty

OPTIONS:
ChromaKey Surface, Custom Colours
LHS Chain can be moved to RHS

TOP LEADER:
The maximum total top black leader available is 300mm,
Use a motorised screen if extra top leader is required

CINEMATECH A=SMALL HEADBOX B=LARGE HEADBOX

| ITEM NO | INCH DIAGONAL | IMAGE SIZE mm | FORMAT | HEADBOX SIZE mm | WEIGHT kg |
|-----------|---------------|---------------|-----------|-----------------|-----------|
| 4307219-A | 72" | 1100 x 1465 | Video 4:3 | 1655 | 11 |
| 4308419-A | 84" | 1280 x 1705 | Video 4:3 | 1895 | 13 |
| 4310019-A | 100" | 1525 x 2035 | Video 4:3 | 2225 | 15 |
| 4311019-B | 110" | 1675 x 2235 | Video 4:3 | 2445 | 28 |
| 4311519-B | 115" | 1755 x 2340 | Video 4:3 | 2550 | 29 |
| 4312019-B | 120" | 1830 x 2440 | Video 4:3 | 2650 | 30 |
| 4313019-B | 130" | 1980 x 2640 | Video 4:3 | 2850 | 33 |
| 4307229-A | 72" | 895 x 1595 | HDTV 16:9 | 1785 | 11 |
| 4308429-A | 84" | 1045 x 1860 | HDTV 16:9 | 2050 | 13 |
| 4309229-A | 92" | 1145 x 2035 | HDTV 16:9 | 2225 | 14 |
| 4309629-A | 96" | 1195 x 2125 | HDTV 16:9 | 2315 | 14 |
| 4310029-A | 100" | 1245 x 2215 | HDTV 16:9 | 2405 | 15 |
| 4311029-B | 110" | 1370 x 2435 | HDTV 16:9 | 2645 | 27 |
| 4312029-B | 120" | 1495 x 2655 | HDTV 16:9 | 2865 | 30 |
| 4313029-B | 130" | 1615 x 2880 | HDTV 16:9 | 3090 | 33 |
| 4307269-A | 72" | 970 x 1550 | 16:10 | 1740 | 11 |
| 4308469-A | 84" | 1130 x 1810 | 16:10 | 2000 | 13 |
| 4309269-A | 92" | 1240 x 1980 | 16:10 | 2170 | 14 |
| 4309669-A | 96" | 1295 x 2070 | 16:10 | 2260 | 14 |
| 4310069-A | 100" | 1345 x 2155 | 16:10 | 2345 | 15 |
| 4311069-B | 110" | 1480 x 2370 | 16:10 | 2580 | 26 |
| 4312069-B | 120" | 1615 x 2585 | 16:10 | 2795 | 29 |
| 4313069-B | 130" | 1750 x 2800 | 16:10 | 3010 | 32 |



ARCHITECTS SPECIFICATION
The projection screen shall be an Australian made Screen Technics CinemaTech Type A/B model _____ with a Unity White Black Backed fibreglass surface and shall be located where indicated on the plans.
Installation shall be done in accordance with the manufacturers instructions



AUSTRALIA

22-24 Suttor Road

Moss Vale NSW 2577

+61 2 4869 2100

screeentechnics.com.au • info@screeentechnics.com.au

NEW ZEALAND

44 Mahana Road

Te Rapa, Hamilton

+0800 022 821

Full technical drawings and installation instructions can be found on our website
Manufacturing tolerance +/- 5mm on headbox and slatrod All dimensions are in (mm). If installed in ceiling always allow for removal for servicing.

Product Features

DESCRIPTION:
Quality Home Theatre Manual Chain Drive Screen System

SURFACE:
Hi Contrast Grey Black Backed Fibreglass - Gain 0.8

HEAD BOX:
Powder Coat White as standard with Black optional

BORDERS:
50mm Sides & Bottom with 300mm top black leader

BRACKETS:
One piece clip-on L bracket suitable for wall or ceiling installation

SIZES:
72" Diagonal to 130" Diagonal
Custom Sizes & Formats available upon request

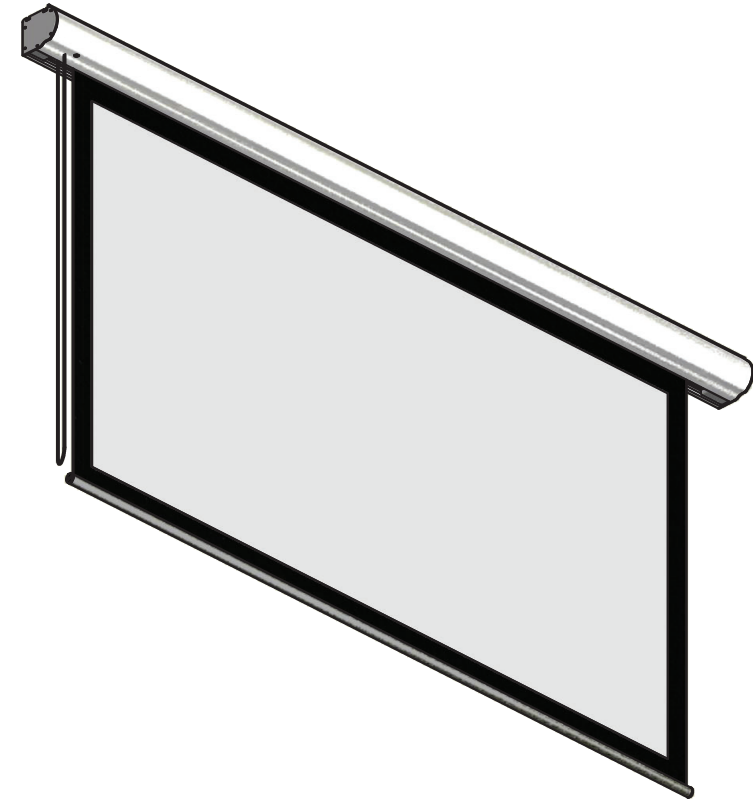
ROLLER DIAMETER:
Small Canister - 47mm Heavy Duty
Large Canister - 80mm Heavy Duty

OPTIONS:
ChromaKey Surface, Custom Colours
LHS Chain can be moved to RHS

TOP LEADER:
The maximum total top black leader available is 300mm,
Use a motorised screen if extra top leader is required

CINEMATECH A=SMALL HEADBOX B=LARGE HEADBOX

| ITEM NO | INCH DIAGONAL | IMAGE SIZE mm | FORMAT | HEADBOX SIZE mm | WEIGHT kg |
|-----------|---------------|---------------|-----------|-----------------|-----------|
| 4307218-A | 72" | 1100 x 1465 | Video 4:3 | 1655 | 11 |
| 4308418-A | 84" | 1280 x 1705 | Video 4:3 | 1895 | 13 |
| 4310018-A | 100" | 1525 x 2035 | Video 4:3 | 2225 | 15 |
| 4311018-B | 110" | 1675 x 2235 | Video 4:3 | 2445 | 28 |
| 4311518-B | 115" | 1755 x 2340 | Video 4:3 | 2550 | 29 |
| 4312018-B | 120" | 1830 x 2440 | Video 4:3 | 2650 | 30 |
| 4313018-B | 130" | 1980 x 2640 | Video 4:3 | 2850 | 33 |
| 4307228-A | 72" | 895 x 1595 | HDTV 16:9 | 1785 | 11 |
| 4308428-A | 84" | 1045 x 1860 | HDTV 16:9 | 2050 | 13 |
| 4309228-A | 92" | 1145 x 2035 | HDTV 16:9 | 2225 | 14 |
| 4309628-A | 96" | 1195 x 2125 | HDTV 16:9 | 2315 | 14 |
| 4310028-A | 100" | 1245 x 2215 | HDTV 16:9 | 2405 | 15 |
| 4311028-B | 110" | 1370 x 2435 | HDTV 16:9 | 2645 | 27 |
| 4312028-B | 120" | 1495 x 2655 | HDTV 16:9 | 2865 | 30 |
| 4313028-B | 130" | 1615 x 2880 | HDTV 16:9 | 3090 | 33 |
| 4307268-A | 72" | 970 x 1550 | 16:10 | 1740 | 11 |
| 4308468-A | 84" | 1130 x 1810 | 16:10 | 2000 | 13 |
| 4309268-A | 92" | 1240 x 1980 | 16:10 | 2170 | 14 |
| 4309668-A | 96" | 1295 x 2070 | 16:10 | 2260 | 14 |
| 4310068-A | 100" | 1345 x 2155 | 16:10 | 2345 | 15 |
| 4311068-B | 110" | 1480 x 2370 | 16:10 | 2580 | 26 |
| 4312068-B | 120" | 1615 x 2585 | 16:10 | 2795 | 29 |
| 4313068-B | 130" | 1750 x 2800 | 16:10 | 3010 | 32 |



ARCHITECTS SPECIFICATION

The projection screen shall be an Australian made Screen Technics CinemaTech Type A/B model _____ with a Hi Contrast Grey Black Backed fibreglass surface and shall be located where indicated on the plans. Installation shall be done in accordance with the manufacturers instructions



AUSTRALIA

22-24 Suttor Road

Moss Vale NSW 2577

+61 2 4869 2100

screeentechnics.com.au • info@screeentechnics.com.au

NEW ZEALAND

44 Mahana Road

Te Rapa, Hamilton

+0800 022 821

Full technical drawings and installation instructions can be found on our website

Manufacturing tolerance +/- 5mm on headbox and slatrod All dimensions are in (mm). If installed in ceiling always allow for removal for servicing.